



OXTALES

Newsletter of the Oxley Region Amateur Radio Club Inc
PO Box 712 Port Macquarie 2444

February 1998

Compiled by VK2TT

PRESIDENT: Bruce Walker VK2HOT 6583.8360
VICE. PRES: Bill Sinclair VK2ZCV 6582.0329
TREASURER: John McDonagh VK2VY 6582.0020
SECRETARY: David Tarrant VK2HBC 6585.6381

President's Report

A lot has happened since the last edition of Oxtales.

The passing of Lester VK2BFP, was a great loss to the Club. I was pleased to see a lot of our membership in attendance at the Memorial service.

Lester's efforts in the Club will be hard for any member to take on. His time spent on the setting up of the "Oxtales" would have been a task that a lot of us would not have taken on.

In one of the first copies of "Oxtales" he stated that "Oxtales" must keep going, regardless of the cost, and thanks to VK2TT, that is one wish of Lester's that has been continued.

The AGM that I, and a lot of other members, were not expecting until July 1998, will be held at our next meeting on March the 7th at the SES Building. As I see it, as this goes to press, all positions will continue unchanged, so the AGM should not take long.

The John Moyle Field Day is coming up on the weekend of 21st and 22nd March. We will be active on Saturday the 21st this time. Due to the construction work on North Brother Mountain, the venue has to be changed. The venue will be up the back of Beechwood, Number one fire tower, turning right at the five ways which will be sign posted "ORARC". Ian, get the bow and arrow polished up and clean the glasses.

Directions to this great location are as follows:-

Go to Wauchope, then to Beechwood, turning right, just before the township. Follow this road into the forest, past the information board on the left, to the five

In This Issue :

	Page
President's Report	1
Down the Coax	2
Vale Lester O'Connell - VK2BFP	2
Congrats to VK2MAI	4
Wyong Report	4
Change to Membership List	4
International BBQ	5
Learning Morse Code	5
Electrifying Facts	5
Life Membership Award - VK2ATM	6
CW Activity	7
Equipment Officer's Report	7
Membership List	8



ways and look for the ORARC sign pointing to the right. I will also mention this on the nets prior to the day.

The Wyong field day was up to the standard of last year but it was different with the transport arrangements. As long as my back side points in any direction, it will never sit on the seats of that mini-bus. I think you would all agree. I must thank all on board for getting out on the return trip up the mountain so as to enable the so called bus to get to the top, and to those that beat it to the top, a great effort by all !!.

The local repeater was very quiet on Sunday night, no doubt due to most of us getting an early night or reading the instructions on the radios and other items we purchased. I sighted a Yaesu 1000, amps, power supplies, computer parts and other bits and pieces so it appeared that a great day was had by all.

Our membership is increasing with VK2KCE and VK2XFK renewing their membership until the 30th June 1998. Also a warm welcome to Neil Sandford from VK1, who will be joining the club. If any member is interested, Neil holds records in the gigahertz area, so he now joins ZCV as our second club record holder.

Cheers all and see you at the AGM.

VK TWO HOT - Bruce
President O.R.A.R.C. Inc.

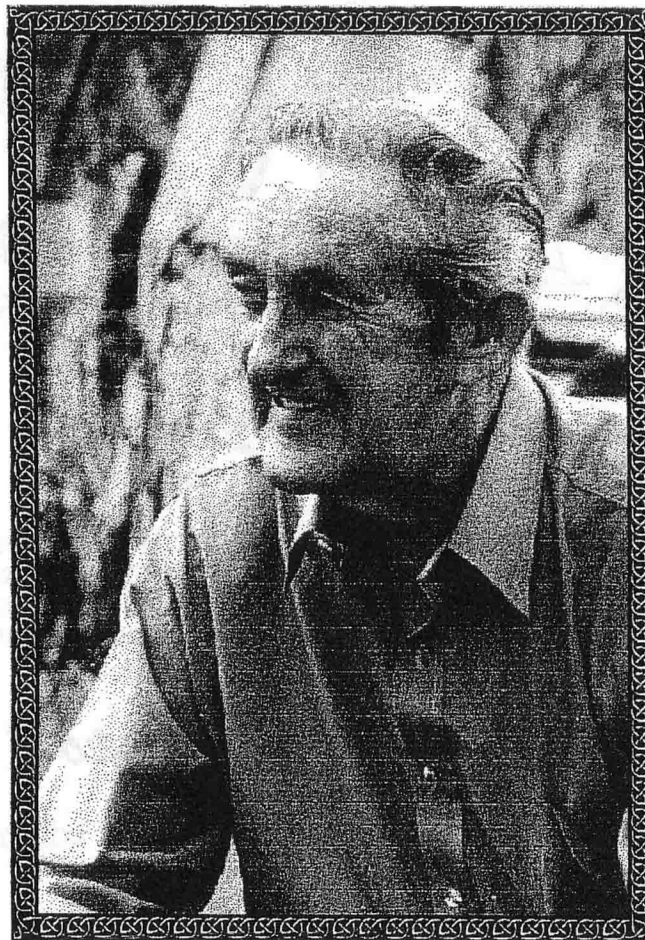
Down the coax.

Saturday-7th March

AGM 1.00pm SES Building-Gordon St.

Saturday-21st March

John Moyle Day - No.1 Fire Tower.



VALE LESTER O'CONNELL - VK2BFP -

It was with shock and great sadness that we learned of the untimely passing of our long standing and long-time active member, Lester O'Connell. Lester passed away on 28th January 1998, following a relatively short battle with ill-health.

The snapshot (above) was taken at the Diamond Head Christmas Barbecue in December 1997.

Lester was an active and strong supportive member of the ORARC since he took up residence in Port Macquarie some 25 years ago, after

moving from Aberdeen in the Upper Hunter valley. He held the position of Secretary for a decade, during which time he was deeply involved in the organisation of club activities, including, particularly, the Queen's Birthday Field Day weekend, for which ORARC is well known.

Lester's personally designed comprehensive checksheets for organisers of the field day weekend event are still used as a valuable aid for those who have organised this activity since Lester relinquished the reins some years ago.

Lester began his working life with QANTAS, but later, gravitated into the financial world as a professional accountant. His interests in the hobby of amateur radio took shape in the 70's. He obtained his NAOCP on 6th July 1978 and he began operating under the call sign of VK2NBO. In 1979, he upgraded his licence to a limited call and became VK2YPW, which was then followed by his full call licence on 4th April 1980, when he became VK2BFP (British Fighter Pilot, as he jokingly signed).

"OXTALES" had its origins in the QTH of VK2BFP way back in 1980. It first appeared as The Newsletter on 24th February, 1980, but on 21st March, 1980 it hit the

streets bearing its current name "OXTALES".

Without the aid of Wordprocessors and Publishing Software (seen only in professional use in those days) Lester produced comprehensive issues of this erudite journal, complete with photographs, to record this club's early development and growth. Those copies now serve as excellent historical records for the club's future. The humble typewriter, and of course the photocopier, were the only tools available to him for this work. He did, of course, possess that great asset that we all grew to recognise as his enthusiastic, fertile, and imaginative approach to this hobby and club, as well as towards the local community and his church.

Lester was interred at Aberdeen, his home town, on 2nd February 1998.

A very large gathering of relatives, friends, and a large group of ORARC members, assembled at the Port Macquarie Roman Catholic church on Friday 6th February to attend a memorial service conducted in his memory.

Yet another long-standing and re-

spected member of ORARC and the Amateur Radio Community at large, has become a Silent Key.

CONGRATS. ALLAN MADIGAN. VK2MAI

Allan was successful in his first attempts at the NAOCP Regulations and Theory examinations. He became the proud holder of call sign VK2MAI, issued on Wednesday 4th February, and in the afternoon/evening of that day, was up and running on 80 Mx CW, chalking up several QSO's with his old cronies from the retired PMG telegraphist's ranks. Allan served many years at the Wauchope Post Office (and elsewhere) as Postmaster, prior to retirement in the mid eighties, and is now making use of the hobby to keep in telegraphic contact with colleagues pursuing similar interests. There is some well established evidence that he will be attacking the Full Call Theory in due course. Go for it "Maddo"!

WYONG FIELD DAY.

A sizeable delegation of ORARC members appeared at the Wyong Field day on Sunday 22nd February, 1998. Some found their way to the event by private transport arrangements, others by the XPT, while 17 hardy souls (some say masochists!) formed a tortured group that travelled in a chartered bus from Port Macquarie and environs. From all accounts so far heard, the level of comfort, and relaxation on the trip, was somewhat less than hoped for. Notwithstanding, the amount of hard-earned that exchanged hands at the event, and the variety of spoils returned to the Hastings Valley, suggested that most, if not all, considered it a worthwhile exercise. The "spoils" inventory comprised items rang-

ing from FT-1000's through to a \$2 bargain roll of Multicore solder. Some items are, no doubt, being gainfully employed in their new locations whilst others are, perhaps, destined for the Junk Tables at the PMQ June Field day. Like the blood that circulates in the veins of the Amateur, Junk must also be kept in circulation if it is to retain its purity.

CHANGE TO MEMBERSHIP LIST ON PAGE 8.

Members will note that there is a change to the presentation of the Membership List on page 8. It now provides for the listing of the name of the spouse of each member. This change was suggested at the Diamond Head Barbie. One reason advanced in support of this addition was the fact that one major use of OXTALES (*Maybe its ONLY use?? Ed.*) is that of a Telephone Directory. Most members will agree that it is not always the member who answers the telephone, and it can be quite handy if the caller knows in advance the name of the callee's spouse. Exempli Gratia... members calling other members, usually know the name of the called person from previous radio contacts, but not necessarily that of the spouse. So it *may* result in a pleasant, friendly, encounter if the caller is able to address the spouse by name. Note that I said "*may* result". Some spouses may have preconceived ideas as to the desirability of a "another ham" (known or otherwise) wishing to talk to his/her spouse, and consume yet more valuable time that could be better spent on outstanding domestic tasks. Such being the case, the use of first names might be seen as blatant presumptuousness and perhaps inflame an otherwise smouldering, yet tolerable rela-

tionship... so watch it... use it wisely!

If your spouse's name does not appear in this issue's list, it is because this harmless drudge who compiles this newsletter, does not know the name. Should you, and your spouse, agree to the inclusion of the name, then just give me the word, and it will appear in the following issue.

I personally think it is a good idea, and it should promote friendliness amongst member families. Note that the additional name made some inroads on the available space on our membership table, so please, nobody suggest that all the kids get a mention too! (Sorry, Pepe, Sam, & Beth! no pets either!).
- VK2TT - Trevor.

INTERNATIONAL BBQ

On April 11 (Easter Sunday) 21 U.S. Amateurs and their wives (also licence holders) will be arriving at Port Macquarie's Sundowner Breakwall Caravan Park, in 21 Motor Homes. They will be staying in PMQ for two days.

On Easter Monday they are visiting King-fisher Park in the morning and in the afternoon will head for "Pilleys Pad" (VK2AYD) at King Creek, for a BBQ.

As a gesture of our Australian hospitality the ORARC is hosting this BBQ and all members and their spouses are asked to come along and meet the visitors.

Time: around 2.30pm

BBQ: around 3.00pm.

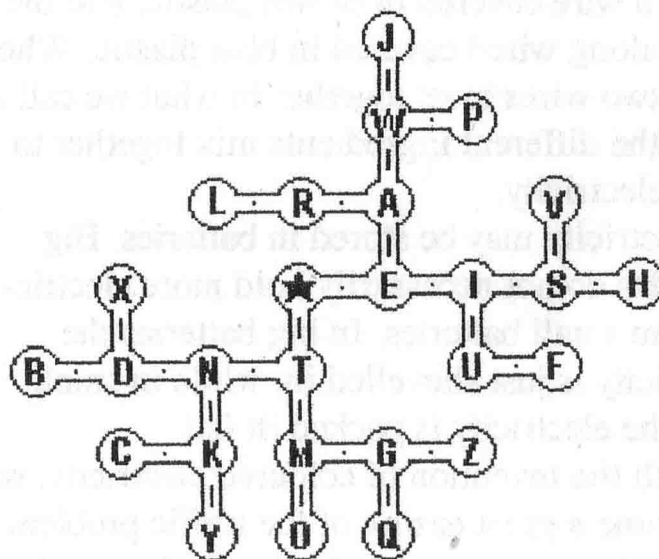
More news on this will be promulgated at the April meeting.

LEARNING MORSE CODE

In the February 1934 issue of ARRL QST magazine, W8BKE, explained a novel way to learning the code. In the December QST 1997, it was reproduced. See how you get on with it.

Put your pencil on the star in the centre of the graph and if you hear a Dit, move the pencil horizontally. If you hear a Dah, move the pencil vertically. Continue in this manner (never retracing your route during a given character element sequence) until the character's Morse symbol is completed. Your pencil should then be resting on the character that was sent.

de VK2AYD



(Cute Isn't it! Recommended for use by those of us who believe that 2 Words Per Minute should be a realistic attainment for AOC status. Ed.)

ELECTRIFYING FACTS.

1. Most electricity is manufactured at Power Stations where it is fed into wires which are then wound around large drums.
2. Some electricity, however, does not

need to go along wires. For example, that used in lightning and portable radios is not generated, it just lies around loose.

3. Electricity makes a low humming noise. This noise may be pitched at different levels for use in doorbells, telephones and electric organs.

4. Electricity must be earthed. That is to say, it has to be connected to the ground before it can function, except in the case of aeroplanes, which have separate arrangements.

5. Although electricity does not leak out of an empty light socket, that light socket is nevertheless live if you happen to shove your finger in it when the switch is on (so if it is not leaking, what else is it doing?).

6. Electricity is made up of two ingredients - Positive and Negative. One ingredient travels along a wire covered in brown plastic, and the other along wired covered in blue plastic. When these two wires meet together in what we call a plug, the different ingredients mix together to form electricity.

7. Electricity may be stored in batteries. Big batteries do not necessarily hold more electricity than small batteries. In big batteries the electricity is just shovelled in, while in small ones the electricity is packed in flat.

8. With the invention of coloured electricity, so also came a great easing of the traffic problem. Before this policemen had to be used at road junctions.

9. An even bigger breakthrough came in 1929 with the invention of negative electricity. This resulted in the invention of the electric refrigerator.

(Extracted from THE METAL WORKER
NOV/DEC 1993)

The snapshot of Lester on page 2 of this issue was taken by VK2JJ (John) and scanned and processed as a .TIF for production in this Newsletter. Some loss of quality will result from the photocopying, but it represents a milestone in that it is the first photograph to appear in "OXTALES" as a result of this form of technology. It is also fitting that the image is that of the creator of "OXTALES", VK2BFP.

Arthur - VK2ATM HONoured WITH LIFE MEMBERSHIP.

Few have ever shown more visible surprise than Arthur, when at our February meeting of ORARC, he was honoured by having Honorary Life Membership conferred upon him in recognition of his long and productive membership of ORARC, over the past quarter of a century.

Our President, Bruce (VK2HOT) did a smooth bit of trickery on Arthur. He selected Arthur "at random" to stand before the membership at the meeting, and answer some questions designed (ostensibly) to acquaint all members with some of the facts surrounding our longer serving members. Questions, such as length of membership, club positions held, involvement in field days etc., etc., etc., were asked.

Arthur did quite well, demonstrating very good recall of the early days of the club, the activities in which he had participated over the years... much better recall, in fact, than a lot of us oldies who have great difficulty in remembering what we had for lunch, today.

Quite unknowingly, Arthur did all the hard work for Bruce. Bruce just fired the questions, and Arthur filled in all the interesting facts.

The surprise, for Arthur, came when he was asked to read and confirm a previously printed "citation" about his receipt of Honorary Life Membership. Initially, Arthur corrected the "citation" explaining that he had really only previously obtained an award of Clubman of The Year, *until* he observed the date of the citation...

it was 7th February, 1998... that very day!

Great show Arthur! A welcome award to a deserving member, who is also supported by an XYL (Wendy) who does great behind the scenes work for ORARC.

(Well done too, Bruce, but it was a rather sneaky, yet clever, way to do it... Ed)

CW ACTIVITY INCREASES.

Members of the fraternity who dabble in the CW Mode (It's Telegraphy, really) will be interested to learn that Jason (VK2FT) has got his gear up and running on that mode (Known in the ranks of its devotees as The Gentleman's Mode.)

Jason has always exhibited an interest in this classical method of communication, and has demonstrated that he has a natural flair for "brass pounding". Eavesdroppers report that Jason has arranged some regular skeds with Allan (VK2MAI), aimed at gaining more expertise through the help of, and practice with, "an old Master" of the art. (I think it was "old Master"... it sounded similar!)

It must work wonders for the hearts of old timers, and a percentage of newcomers to the hobby who seek to pursue the Gentleman's Mode, to find that there are still some of the "young'ns" out there who are keen to improve their skills at this art. This must be particularly so at a time when there is so much serious controversy (albeit heavily padded with ill-willed and ill-informed rhetoric), seeking to resolve the question of its retention, or elimination, as an examinable subject for NAOCP and AOCP.

So keep up the practice, Jason. It took us all some significant level of personal effort to attain the required standard, thus it would be sheer folly to abandon an acquired upper echelon skill that requires only some regular exercise (and dedication) to maintain and improve, regardless of the official outcome of the controversy.

- VK2TT - Trevor.

Equipment Officer's Report.

Well what happened?. I asked that all equipment, either working or not, be returned along with any books etc., to the last meeting.

Nothing was returned, but I know that some members have these items, so once again, I ask for it all to be returned, so that I can collate items and start the book. If you cannot return it yourself, then give it to another member who will be attending. If this does not happen, then I might have to resort to a home invasion, or ram raid, or being slightly less aggressive a sledge hammer to the front door.

- VK2FT - Jason.

AGM REMINDER

**Do not forget the
Annual General Meeting.**

**It is scheduled for
Saturday, 7th March, 1998
(Beware!.. The Ides!)**

1.00pm

at

**SES HEADQUARTERS
GORDON ST.**



OXLEY REGION AMATEUR RADIO CLUB Inc.
MEMBERSHIP REGISTER.

24th February 1998

	FIRST NAME(Spouse)	SURNAME	CALL SIGN	TOWN/CITY	TPH. NO.
1	PETER	ALLAN	VK2GLJ	PORT MACQUARIE	02 6584.9150
2	JOHN (FLORENCE)	BAILEY	VK2KHB	PORT MACQUARIE	02 6582.2912
3	COLIN (JAN)	BELLENGER	VK2AF	PORT MACQUARIE	02 6582.3803
4	BOB	BLYTH	VK2XIQ	PORT MACQUARIE	-
5	MARK	BRENTON	VK2XFK	COLLOMBATTI	015 401508
6	BOB	BRODIE	VK2EJK	PORT MACQUARIE	02 6582.0592
7	DEANNA	CAMERON	-	PORT MACQUARIE	-
8	KEVIN (JUNE)	COULTER	VK2MAM	PORT MACQUARIE	02 6583.8325
9	IAN	DALRYMPLE	VK2XU	PORT MACQUARIE	02 6584.9922
10	JIM	DANIELS	-	PORT MACQUARIE	02 6583.1933
11	CHARLES (PAT)	EDMONDSON	VK2FSH	PORT MACQUARIE	02 6584.0495
12	BADEN	GLEESON	VK2MOQ	PORT MACQUARIE	02 6582.2018
13	LEWIS (PAMELA)	GREEN	VK2AG	PORT MACQUARIE	02 6584.9162
14	GRAEME	GREENWOOD	VK2ZIS	PORT MACQUARIE	02 6583.4684
15	SAM	GRIFFITHS	VK2LSG	TAREE	02 6552.3149
16	KEITH	HANLON	-	PORT MACQUARIE	-
17	PETER	HILL	VK2BZA	LAKE CATHIE	02 6585.5449
18	SNOW	HODDER	VK2DV	PORT MACQUARIE	02 6583.7095
19	JOHN (THEA)	JONES	VK2JJ	LAKE CATHIE	02 6585.4522
20	DON	JONES	-	PORT MACQUARIE	02 6582.5084
21	JACK	LEEDS	VK2KN	PORT MACQUARIE	02 6584.1206
22	GARY	LEEDS	VK2NOV	PORT MACQUARIE	02 6584.3978
23	LARRY	LINDSAY	VK2CLL	WAUCHOPE	02 6587.1155
24	HENRY	LUNDELL	VK2ZHE	PORT MACQUARIE	02 65 -
25	KEITH (GWEN)	LUTTON	VK2KDL	TELEGRAPH POINT	02 6585.0321
26	ALLAN (DAWN)	MADIGAN	VK2MAI	WAUCHOPE	02 6585.2043
27	JASON	MARIS	VK2FT	TELEGRAPH POINT	02 6585.0426
28	JOHN (KARIN)	MCDONAGH	VK2VY	PORT MACQUARIE	02 6582.0020
29	DOUG	MCDONALD	VK2EUM	PORT MACQUARIE	02 6583.6157
30	JOHN	MCLEAN	VK2KCE	PORT MACQUARIE	02 6583.7400
31	TERRY	MEEHAN	VK2KL	PORT MACQUARIE	02 6584.2997
32	ARTHUR (WENDY)	MONCK	VK2ATM	PORT MACQUARIE	02 6583.1311
33	LAURIE	NEWHAM	VK2ELN	PORT MACQUARIE	02 6583.3981
34	ALLAN	NUTT	VK2GD	PORT MACQUARIE	02 6583.3557
35	DAVID A (DEE)	PILLEY	VK2AYD	KING CREEK	02 6585.2647
36	PAUL (BARBARA)	ROMAINE	VK2UPR	PORT MACQUARIE	02 6584.1830
37	BILL	ROTH	VK2CWR	PORT MACQUARIE	02 6581.1776
38	BILL (RUTH)	SINCLAIR	VK2ZCV	PORT MACQUARIE	02 6583.9302
39	DAVID (ROMA)	SMITH	VK2DAL	WAUCHOPE NSW	02 6585.1004
40	BILL (TONI)	STOFMEEL	VK2WST	BONNY HILLS NSW	02 6584.8104
41	DAVID (AILEEN)	TARRANT	VK2HBC	WAUCHOPE	02 6585.6381
42	TREVOR (PHYLLIS)	THATCHER	VK2TT	WAUCHOPE	02 6585.2278
43	BRUCE (GWEN)	WALKER	VK2HOT	PORT MACQUARIE	02 6583.8360
44	PAUL (CAROL)	WEBSTER	VK2BZC	PORT MACQUARIE	02 6582.3377
45	RONALD W	WYLES	-	PORT MACQUARIE	02 6581.1085

