

# OXTALES

First published 1980

Newsletter of the Oxley Region Amateur Radio Club Inc.

PO Box 712 Port Macquarie 2444

Websites: [<http://www.mypage.tsn.cc/orarc/page2.html>] and

[<http://www.portmacquarie.yourguide.com.au/viewclub.asp?clubid=1044>]

e-mail : vk2bor@westnet.com.au

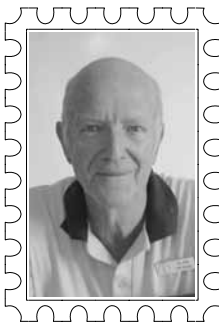
## July 2007

Compiled by VK2TT & VK2AYQ

PRESIDENT: Alan Nutt VK2GD 6582.3557  
 VICE PRES: Bruce Walker VK2HOT 6583.8360  
 TREASURER: John McLean VK2KCE 6584.6220  
 SECRETARY: Jim Neil VK2VIV 6581.2481

### President's Report

Another Field Day has come and gone and, despite adverse weather conditions on other parts of the east coast, we were fortunate that conditions were more kindly disposed around Port over the holiday weekend. The results of the various contests and raffles appear elsewhere in this issue. Our sincere thanks to all who contributed materially and in time and effort to make for a very enjoyable weekend.



Henry reported that our club station, VK2BOR, had the sixth highest score in the HF Multi-Operator section of the recent RD Contest, which was most gratifying.

Our 2m Middle Brother repeater has been giving trouble again this week and it is hoped that it will be back in operation by the time this report is read. It is one of the unfortunate aspects of electronics that, despite the best efforts at preventive maintenance, including built-in redundancy, one can never be sure of 100% reliability. There are just too many unknowable and unpredictable factors over which we have no control. Just when you think you've got it all covered, up pops another unexpected glitch. Still, we do the best we can and learn to live with the rest. C'est la vie!

There have been a number of enquiries regarding the next training class for "F" trooper licensing. It is intended to com-

mence a class in the middle of July, with time and date to be announced shortly. If you know of anyone interested in taking up the challenge, please let Larry or myself know so they can be advised. The WIA are also making some changes to the structure of the examination system which will see our old "invigilators" replaced by "Learning Facilitators." It will now be necessary for our original invigilators to qualify and be registered by the WIA as WIA Learning Facilitators. An application form for Training and Registration as a Facilitator can be downloaded from the WIA website.

The bad news - the WIA have announced an increase in exam fees from \$25 to \$35, applicable to all grades of Theory and Regulation assessment as from 1<sup>st</sup> July. Practical assessment taken alone will be increased from \$20 to \$25.

The good news - a national competency standard for amateur radio has now been fully endorsed by DEST. This facilitates the introduction of amateur radio into school curricula which, in turn, can only help boost our ranks in days to come.

Alan Nutt VK2GD

El Presidentè

### In This Issue :

Item.	Page No.
President's Report	Front Cover
Down the Coax	2
E-Mail Directory	2
Net Controllers' Roster	2
I Have Returned	2
Fox Hunt Report and results	3
"FFFF" Sighted at Wauchope	3
2007 Field Day Kitchen Report	3
Trophy and Raffle Winners List	4
VK2ATM Ramp Generator	5
Digital BPSK31	6
Label Making The Easy Way	7
Membership Register	Rear Cover



## Down The Coax

**Friday Night Get-togethers**  
**July 13th & 27th 7.00pm**

**August AGM & Monthly Meeting**  
**Sat. 4th August at 2.00pm**

**Friday Night Get-togethers**  
**August 10 & 24th 7.00pm**

**RD Contest**  
**Sat/Sun 11th/12th August**  
**(At VK2ZHE's Shed)**

**Intl. Lighthouse & Lightship Weekend**  
**Sat/Sun 18th/19th August**  
**(At Tacking Point Lighthouse)**

**September Monthly Meeting**  
**Sat. September 1st at 2.00pm**

### **E-mail directory.**

*Reflects ALL changes notified up to  
30th June, 2007*

VK2EI (Neil) neilsan@tpg.com.au  
VK2EM (Bruce) brucee@iprimus.com.au  
VK2GD (Alan) anu16734@bigpond.net.au  
VK2TT (Trevor) grumps@midcoast.com.au  
VK2YB (Roy) identity@midcoast.com.au  
VK2ATM (Arthur) arfamo@midcoast.com.au  
VK2AYD (David) davpil@midcoast.com.au  
VK2AYQ (John) henseno@ozemail.com.au  
VK2BAL (Les) brintek@bigpond.com.au  
VK2BEL (Allan) belly@tsn.cc  
VK2BOR (ORARC) vk2bor@westnet.com.au  
VK2CJM (Chris) Chris@CalmDowns.org.au  
VK2CHC (Richard) farmsale@midcoast.com.au  
VK2CLL (Larry) lindsay@midcoast.com.au  
VK2DDL (Stan) svellis@tsn.cc  
VK2EJK (Bob) rbr01962@bigpond.net.au  
VK2FSH (Charles) cpedmond@felglow.com.au  
VK2HOT (Bruce) vk2hot@tsn.cc  
VK2IEV (Joe) bivona@aapt.net.au  
VK2KCE (John) hrbe@bigpond.net.au  
VK2DMX (Steve) haddie\_007@hotmail.com  
VK2TMG (Brett) brere@gmail.com  
VK2TRM (Graham) emu@midcoast.com.au  
VK2VIV (Jim) jim.neil@gmail.com  
VK2YOR (Roy) rburgess@intercoast.com.au  
VK2ZCM (Craig) vk2zcm@dodo.com.au  
VK2ZCV (Bill) wsi54224@bigpond.net.au  
VK2ZCW (Bill) cabrooke@westnet.com.au  
VK2ZHE (Henry) lundell@tpg.com.au  
VK2ZIS (Graeme) admiral@midcoast.com.au  
VK2ZTM (Tim) c/- info@tvq.com.au  
VK2FABJ (Ailsa) cabrooke@westnet.com.au  
VK2FBRG (Barry) fgilson@bigpond.net.au  
VK2FJKD (Jim) jaidanl@bigpond.com  
VK2FLHI (Des) lhibluelag@bigpond.com

## Net Controllers' Roster

Nets on Voice Repeater VK2RPM 146.700 Mhz

**Sundays**  
(0830 Local)

**Wednesdays**  
(1900 Local)

### July 2007

VK2BZD	Jul-01	VK2ZCM	Jul-04
VK2VIV	Jul-08	VK2ATM	Jul-11
VK2TT	Jul-15	VK2ZHE	Jul-18
VK2OA	Jul-22	VK2EI	Jul-25
VK2BZD	Jul-29		

### August 2007

VK2VIV	Aug-05	VK2AYD	Aug-01
VK2TT	Aug-12	VK2GD	Aug-08
VK2OA	Aug-19	VK2ZCM	Aug-15
VK2BZD	Aug-26	VK2ATM	Aug-22
		VK2ZHE	Aug-29

### September 2007

VK2VIV	Sep-02	VK2EI	Sep-05
VK2TT	Sep-09	VK2AYD	Sep-12
VK2OA	Sep-16	VK2GD	Sep-19
VK2BZD	Sep-23	VK2ZCM	Sep-26
VK2VIV	Sep-30		

### October 2007

VK2TT	Oct-07	VK2ATM	Oct-03
VK2OA	Oct-14	VK2ZHE	Oct-10
VK2BZD	Oct-21	VK2EI	Oct-17
VK2VIV	Oct-28	VK2AYD	Oct-24
			Oct-31

### November 2007

VK2TT	Nov-04	VK2GD	Nov-07
VK2AO	Nov-11	VK2ZCM	Nov-14
VK2BZD	Nov-18	VK2ZATM	Nov-21
VK2VIV	Nov-25	VK2ZHE	Nov-28

### December 2007

VK2TT	Dec-02	VK2EI	Dec-05
VK2OA	Dec-09	VK2AYD	Dec-12
VK2BZD	Dec-16	VK2GD	Dec-19
VK2VIV	Dec-23	VK2ZCM	Dec-26
VK2TT	Dec-30		

## I Have Returned!

Somebody else said that in 1944... at Bataan? Well, thanks to the membership for accepting me back as an editor of "OXTALES". I enjoy the job.

Thanks also to John, VK2AYQ for his sterling effort in carrying on the job during my absence since February. I didn't leave him with much in the way of resources, but he carried on commendably to produce the March and May issues.

I must also express my thanks to the membership for their support and words of comfort and condolence during my recent bereavement. The knowledge that others are sharing the sorrow, eases the grief that follows the loss of a loved one.

— Trevor (VK2TT)

## Cunning Foxes Can't Elude the Wily Hounds

ORARC's crafty foxes, Jim VK2VIV and Larry VK2CLL, demonstrated unprecedented slyness in the placement of hidden transmitters at the June long weekend field day. However, their Machiavellian antics were no match for ORARC's resident hound, Craig VK2ZCM and regular visitors Chris VK2YMW and Arnold VK2ADA.

Overall Foxhunt champion, by a hound's whisker, was VK2ZCM. Craig has developed outstanding technical abilities in all facets of fox hunting. He constructed the 80 metre transmitter used in the events. This is a programmable unit that is capable of working into any aerial, from a piece of wet string to a chain wire fence, without an ATU.

Craig was without peer in both the 80 metre championship event and the Saturday practice event. This was largely because of the excellent 80 metre DF'ing aerial set-up on the roof racks of his car. Chuffed with his success in Saturday's practice events, and a pleasant dinner in town with the XYL that evening, Craig arrived home and drove straight into the car-port, forgetting the precious and complex equipment above his head. The damage was extensive and Craig worked into the early hours of Sunday morning rewinding ferrite rod aerials and straightening bent bits and pieces. Needless to say, he had his gear working perfectly again for the main event.

The number of participants was down this year because of the appalling weather conditions down south but competitors, who made it to Port Macquarie, enjoyed ideal conditions for all events.

Competitor	Fox Hunt Points Score
	Total Points
VK2ZCM Craig	134
VK2YMW Chris	133
VK2ADA Arnold	78
VK2BZC Paul	30

## The "FFFF" Sighted at Wauchope

In May's OXTALES, John, VK2AYQ raised a query regarding an observed phenomenon associated with the now common compact fluorescent lamp. John wanted to know if other members had noted that these "beasties" emit periodic flashes when they are turned off. Yes John! I have!

Initially, I thought that my sensing of these flashes was the result of my "inordinate maturity" (or other Anno Domini related factors). I therefore sought my XYL's participation in some joint observations. Sure enough, we both agreed that the lamp was flashing. We have since referred to the effect as the "Flashing Feature of the Frugal Fluro", or FFFF for short.

John's approach to his investigations as to why it was occurring, was far more scientific than mine. He measured the voltage that was present and found it to be 35V.

I had casually put it down to be something surely associated with hexadecimal notation that seems, these days, to lurk within the origins or explanations of most modern technical issues. As a consequence, I had simply calculated that the potential causing the periodic striking would have been precisely 65,535V. How wrong I was! Next question is "Why is it so? Anybody else got any clues?"

—Trevor VK2TT

## 2007 Field Day Kitchen Report

Kitchen activities were on the whole reasonably efficient for the weekend. Saturday saw the food arrival and stowage and thanks to John Bailey, VK2KHB, for running the barbecue for the evening sausage sizzle. Sunday got off to a good start with the kitchen clean and bread buttering well in hand early on. Unfortunately we did not butter enough for the number of people coming to be fed at lunch time so Bill, VK2ZCV, assisted with buttering more while Bill, VK2ZCW and Joe, VK2IEV continued with the serving up. Very many thanks to Bill, VK2ZCV, for his help which delayed his own lunch serving. Thanks to John, VK2KHB, Steve, VK2MDX, Barry, VK2FBRG, and Joe, VK2IEV for their hard work during the weekend which enabled us to serve the hungry throngs, especially during Sunday lunch. There were a couple of problems during the weekend with the main one being running out of coleslaw during the lunch so we must ensure we buy a larger supply next year. We had an over-supply of meat but this was mainly due to having fewer numbers to feed than the last two years so I think we should maintain our buying for these next year. The kitchen was left neat and clean after the Field day completed and all equipment was returned in a timely manner.

—Bill Brooke VK2ZCW.

# **TROPHY AND RAFFLE WINNERS O.R.A.R.C. FIELD DAY 2007**

## **Fox Hunts**

### **Grand Champion**

Craig Martin, VK2ZCM, with 134 points.

Trophy donated by Hode Pty Ltd.

### **Runner-up**

Chris Williams, VK2YMW, with 133 points.

Trophy donated by Port Macquarie Trophies.

## **Best Presented Amateur Vehicle**

WLX941, owned by Steve Hadfield, VK2DMX.

Trophy donated by Hode Pty Ltd.

## **Raffle Winners**

### **1<sup>st</sup> Prize (Beam Rotator),**

Vivian, VK2FVIV, ticket #B13

**(donated by Kevin, VK2KKD, One Man Tower)**

### **2<sup>nd</sup> Prize (Weather Station)**

Coralie, [VK2ZCV], ticket #A58

**(donated by Garry, Radio Supply)**

### **3<sup>rd</sup> Prize (Set of Service Info CD's)**

Arthur, VK2ATM

**(donated by M.N.C.A.R.C.)**

### **4<sup>th</sup> Prize (Wind Cheater Jacket)**

Des, VK9FLHI

### **5<sup>th</sup> Prize (Tea Set)**

Dave, VK2AYD

### **6<sup>th</sup> Prize (Belce Hot Plate)**

VK2TSR

### **7<sup>th</sup> Prize (Cake)**

VK2FA

### **2<sup>nd</sup> Raffle (2007 Call Book)**

Stan, VK2DDL

## **Membership Subscriptions for 2007-2008**

**Members are reminded that annual subscriptions fall due on 1st  
July 1007.**

**If you have not yet paid yours, please ensure that your Annual  
Subscription of \$25.00 reaches the Treasurer as soon as possible  
after the due date.**

**Your club needs your support. Please pay promptly.**

# VK2ATM Ramp Generator

This is a very useful voltage source to sweep an oscillator across a range of frequencies for test purposes. It can be combined with a receiver and CRO display to form a spectrum analyser

The circuit uses a programmable unijunction thyristor controlled by a constant current and voltage reference source, followed by an emitter follower output buffer. R2, R3, R4 with T3, T4 connected as diodes provides the reference voltage for the constant current Transistor T2 and the gate of the Unijunction Q1.

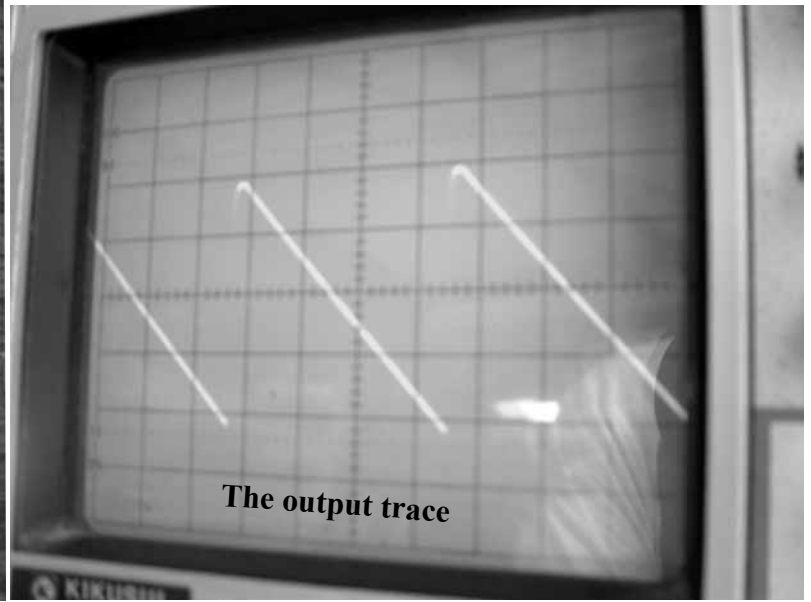
The charge current of C1 is held constant by T2, R5 to provide a linear slope until Q1 triggers to instantly discharge C1. T1 is the emitter follower to provide isolation from the load so as not to distort the wave-shape.

The Anode gate of the BRY39 is not used and may be cut off or just left open.

Variable output level is adjusted by R1. The circuit works well with supply voltages between 12 and 15v. Less than 12v results in a flattening of the top of the saw-tooth.



The completed unit

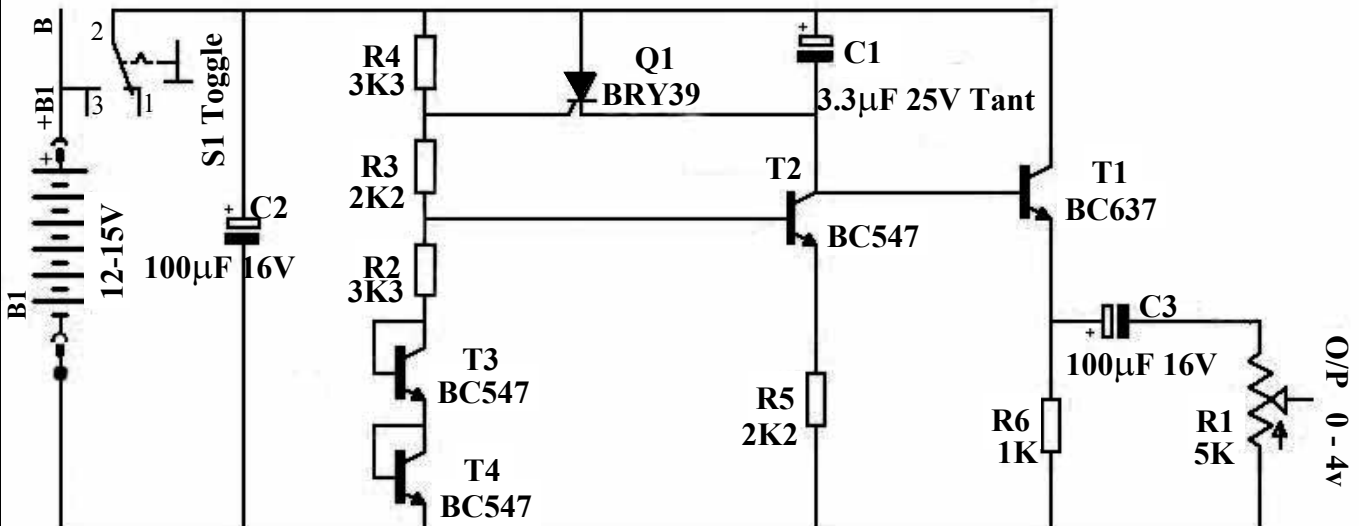


The output trace

## RAMP GENERATOR—VK2ATM

Battery Current = 18mA or less

Sweep Freq = 180 Hz approx



# Digital BPSK31

Most newcomers to Amateur radio have computers. Some have dedicated computers interfaced with their transceivers, yet few have migrated to digital modes. Perhaps it's consider something akin to the internet, but be assured that is not so. Perhaps they believe Packet Radio is the only system available to Amateurs. Again, not so!

Amateur Radio digital communication encompasses over 50 different modes and some programmes, such as "Multipsk" and "Mix-W", give you the capabilities to receive most of these. It ranges from SSTV to keyboard-to-keyboard transmissions. It even includes CW which was the first digital mode!

One of the most popular modes is PSK31 (Phase Shift Keying) and if you really want to see something fascinating, download the programme "Digipan" off the internet, (or buy the club's "HamStuff" CD produced by Arthur VK2ATM) install and watch and read on your computer up to 20 stations all transmitting within a 2 kHz band. Yes I did say 20. The bandwidth of a BPSK31 signal is just 62.5 Hz., so there is plenty of room inside a 2 kHz bandwidth.

You will need a very simple interface (a simple mini 1:1 600 ohm transformer for isolation purposes) to connect the transceiver output to the input of your sound card.

However, be careful. If your computer is on the same ground path as your transmitter, you will not have isolation. It's worth checking this first. Any leakage current from the PC or anything else on the same power outlet can cause bad interference and possible damage. But don't be put off as most sound cards provide isolation on both input and output sockets.

I'm not proposing to go into the details of how PSK works, you'll find all that in any Amateur Radio Handbook. What I would like to see is more Amateurs using digital modes. It has many advantages such as you only need a few watts to communicate with any part of the world. (I use about 20 watts) so consequently have no TVI or RFI to worry about.

Where will you find stations? Popular frequencies are 7.035, 10.140, 14.070, 18.100, 21.070 kHz. 14.070 is the most popular and, subject to the 20m band being open, you will find stations. Most of them are only using 20 to 30 watts and a dipole. So why not make up a simple interface and give it go. Interface diagrams are available on the HamStuff discs.

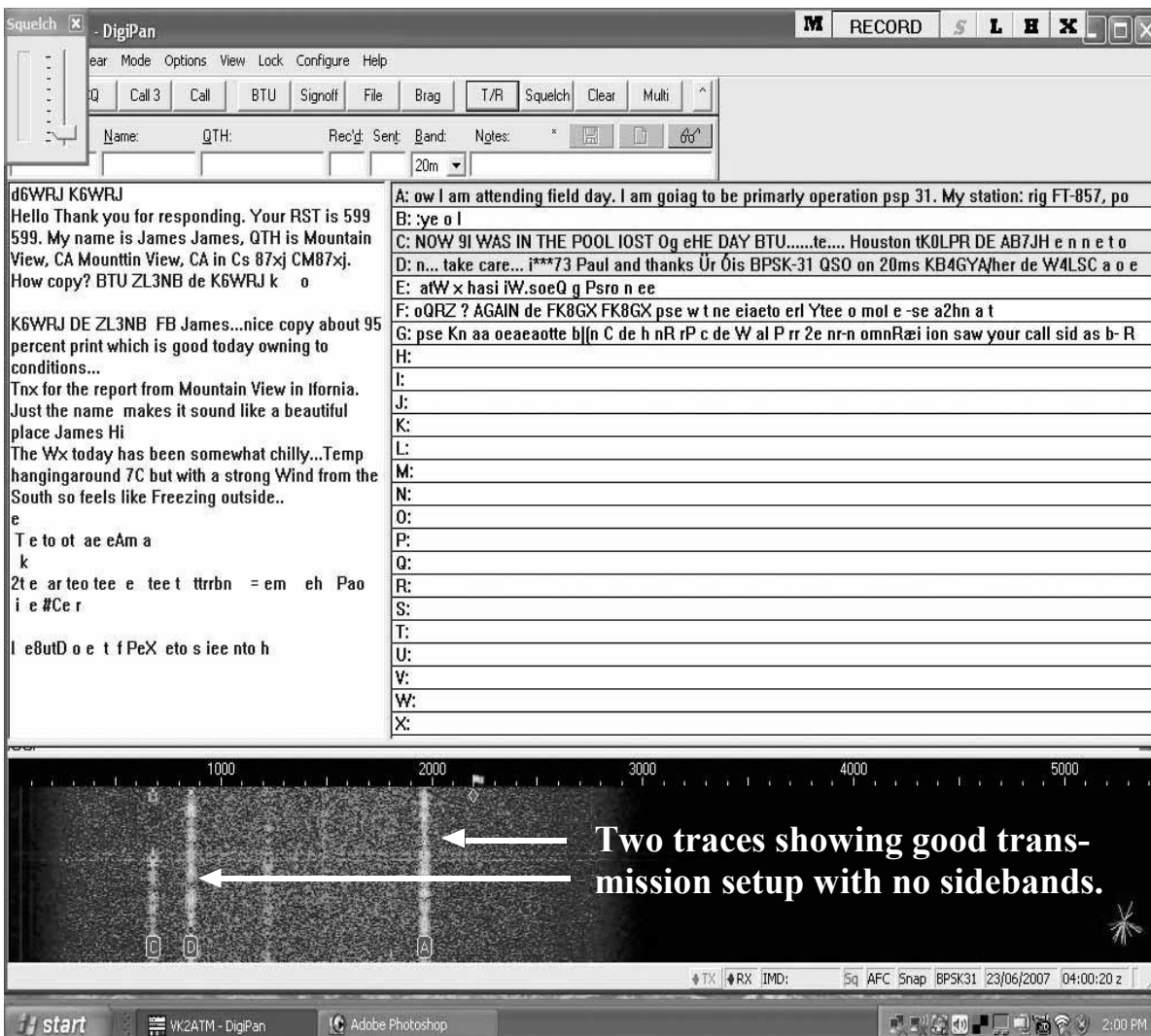
The next step is to transmit. For that you'll need another interface to isolate the output of the computer sound card to the mic on the transceiver. Same sort of interface using a small 1:1

600 ohm transformer is recommended.

Can you get a DXCC certificate working digital? Of course! I'm giving it a try for 2007 so why not join the digital net?

(See page 7 for another captured screen image of this mode)

— de David VK2AYD



## BPSK31 (Cont'd)

Thanks to  
Arthur—VK2ATM,  
for the two captured  
screen images that  
accompany David's  
article on BPSK31.

A good team effort

The screenshot shows the VK2ATM software interface. At the top, there's a menu bar with 'File', 'Edit', 'Mode', 'Options', 'View', 'Configure', and 'Help'. Below the menu is a toolbar with various icons. On the right side, there are several meters: a circular meter for 'copy %' at 100, a meter for 's/n' at 60, and a meter for 'RST: 589' with '0 | i | m | 40'. Below these is a frequency display showing 'Eq: 14.070.000'. The main area contains a log table with columns: QSO, Mode, Freq, Date, UTC, Call, Name, QTH, RST\_Sent, RST\_Recv, and Notes. The table has four rows of data. Below the log table is a text window showing a log entry from 'W10oL de\*a' with details about a contact with Peter from Victoria, Australia. At the bottom of the screenshot is a waterfall plot showing a signal trace with sidebands. An arrow points to the sidebands with the text: 'An example of severely overdriven transmission. Note the sidebands on the active trace.' The bottom of the screenshot shows the Windows taskbar with the 'start' button and system tray icons.

QSO	Mode	Freq	Date	UTC	Call	Name	QTH	RST_Sent	RST_Recv	Notes
1	BPSK31	14071.	27/02/2006	06:00:52	VK2AYD	David	Wauchope	557	539	lot of Hum or
2	SSB	10120.	20/03/2006	05:36:05	VK7AAA	John	Hobart	58	56	David VK7D:
3	BPSK31	10120.	08/06/2007	21:54:57	7L1WII	Sam	Ibareki	569	559	QM06gl
4	BPSK31	10120.	08/06/2007	21:54:57				569	559	

W10oL de\*a  
CQ Co ZQ d  
n @MMG K6MM3 cwMMp  
CQ CQ CQ de KMG K6MyG aHello, Peter. Pleased to see you on my screen, your report 589 589.  
Name is Graeme Graeme es QTH Flora Hill, Bendigo Flora Hill, Bendigo Loc...QF23DF, in central  
Victoria, 160 klms from the city of Melbourne.  
BTU Peter VE7NBQ DE VK3GOM K

An example of severely overdriven transmission. Note the sidebands on the active trace.

## LABEL MAKING THE EASY WAY (Part I — Alan - VK2GD)

Any project worth constructing deserves proper labelling to give it a professional finish (and remind you what all the knobs and switches were for further down the track!)

One can take the sophisticated approach and obtain an engraved job at some expense or adopt the retiree's approach and do it by the *el cheapo* method which still looks great although perhaps not as durable. Either way, it's worth taking some time to do a proper layout to determine correct positioning and an appropriate font and point size for the finished product.

As a rough guide, a font size of 11 or 12 point bold is easily readable, although on some occasions a larger or smaller size may be used for aesthetic or artistic purposes. Don't be afraid to experiment, since changes are easily made using the method to be described.

For increased readability, a sans serif font like Arial or Helvetica is preferable although, with the font styles available on most of our computers these days, many choices are possible. Steer away from ornate fonts which can be confusing to read.

Having determined the label wording you will need, start by calling up your favourite word processor and create a text box slightly larger than the intended finished label size. The box will be quite small if you are making a one-word label, but can be as large as necessary to accommodate multi-line labels.

Enter the required text into the box and make a preliminary print to check the size and appearance when placed in its intended position on your project. Line spacing can be adjusted in quite small increments by increasing or decreasing the font size for blank lines between the text. Just remember that any changes you make to the spacing at the top of the text box will affect lines lower down. Don't be afraid to fiddle until you get it right.

When the text is finally positioned as you want it, change the FILL colour of your text box to black and the font COLOUR to white. Of course, there may be projects which call for black labels on white, or even a multi-coloured label, in which case, select your background and font colours accordingly.

When you are satisfied that all is in order, *save your file* then print the label(s) on a sheet of A4 adhesive backed paper, preferably with a laser printer which gives a denser black than some inkjet varieties.

(Part II will appear in September *Oxtales* and will cover the fixing of the labels to your hardware)





# OXLEY REGION AMATEUR RADIO CLUB Inc.

## MEMBERSHIP REGISTER.

(As at close of financial year ended June 30th 2007)

Cat.	Surname	Given	Spouse Name	Call	Location	Tph
1	O	BAILEY	JOHN (FLORENCE)	VK2KHB	PORT MACQUARIE	02 6582.2192
2	D	BELL	ALAN	VK2BEL	COOLONGLOOK	02 6554.1689
3	O	BIVONA	JOE (ROSE)	VK2IEV	PORT MACQUARIE	Mob 0405040953
4	L	BLYTH	BOB	VK2XIQ	PORT MACQUARIE	-
5	O	BRODIE	BOB	VK2EJK	PORT MACQUARIE	02 6582.0592
6	O	BROOKE	AILSAL (BILL)	VK2FABJ	PORT MACQUARIE	02 6581.0547
7	O	BROOKE	BILL (AILSAL)	VK2ZCW	PORT MACQUARIE	02 6581.0547
8	O	BURGES	ROY (JUNE)	VK2YOR	PORT MACQUARIE	02 6583.9349
9	O	COULTER	KEVIN (JUNE)	VK2MAM	PORT MACQUARIE	02 6583.8325
10	O	COURT	RICHARD (LINDA)	VK2CHC	BEECHWOOD	02 6585.6866
11	O	DANIEL	JIM	VK2FJKD	PORT MACQUARIE	02 6583.1933
12	O	EDMONDSON	CHARLES (PAT)	VK2FSH	PORT MACQUARIE	02 6584.0495
13	D	EKERT	BRUCE (SUE)	VK2EM	EAST MAITLAND	02 4934 3025
14	D	ELLIS	STAN (BETTY)	VK2DDL	TUNCURRY	02 6554.7996
15	O	GILSON	BARRY (FAY)	VK2FBRG	PORT MACQUARIE	02 6583.8814
16	O	GLEESON	BADEN (VALERY)	VK2MOQ	PORT MACQUARIE	02 6582.2018
17	O	GREEN	LEWIS (PAMELA)	VK2AG	PORT MACQUARIE	02 6584.9162
18	O	GREENWOOD	GRAEME	VK2ZIS	MIDDLE BROTHER	02 6559.4836
19	O	HADFIELD	STEVE	VK2DMX	PAPPINBARRA	02 6587.6160
20	L	HANLON	KEITH	-	PORT MACQUARIE	-
21	O	HANSEN	JOHN	VK2AYQ	PORT MACQUARIE	02 6582.7932
22	O	HARDING	DAVID (ISABELLA)	VK2AIF	WAUCHOPE	02 6586.4980
23	O	JANES	LES	VK2BAL	PORT MACQUARIE	-
24	L	LINDSAY	LARRY	VK2CLL	WAUCHOPE	02 6587.1155
25	L	LUNDELL	HENRY	VK2ZHE	PORT MACQUARIE	02 6582.0534
26	O	MADIGAN	ALLAN (DAWN)	VK2OA	WAUCHOPE	02 6585.2043
27	O	MARRIOTT	JOHN (ROSE)	VK2CIF	NORTH HAVEN	02 6559.9245
28	O	MARTIN	CRAIG (JENNY)	VK2ZCM	SANCROX	02 6585.3452
29	O	MCLEAN	JOHN (CORRINE)	VK2KCE	PORT MACQUARIE	02 6584.6220
30	O	MEEHAN	TERRY	VK2KL	PORT MACQUARIE	02 6584.2997
31	D	MILLS	TIM	VK2ZTM	BEECROFT	02 9868.1434
32	H	MINAHAN	CHRIS	VK2EJ	HALLIDAYS POINT	02 6559.3516
33	L	MONCK	ARTHUR (WENDY)	VK2ATM	PORT MACQUARIE	02 6581.0960
34	O	NEIL	JIM (CAROL)	VK2VIV	PORT MACQUARIE	02 6581.2481
35	O	NEWHAM	LAURIE (ROBIN)	VK2ELN	PORT MACQUARIE	02 6583.5387
36	O	NUTT	ALAN (ELAINE)	VK2GD	PORT MACQUARIE	02 6582.3557
37	O	PILLEY	DAVID (DEE)	VK2AYD	KING CREEK	02 6585.2647
38	O	REES	BRETT (YVETTE)	VK2TMG	PORT MACQUARIE	02 6582.5956
39	O	RICHTER	ROY	VK2YB	VIA WAUCHOPE	02 6587.4232
40	O	ROTH	BILL	VK2CWR	PORT MACQUARIE	02 6581.1776
41	O	SANDFORD	NEIL (VERENA)	VK2EI	PORT MACQUARIE	02 6582.5830
42	L	SINCLAIR	BILL	VK2ZCV	PORT MACQUARIE	02 6583.9302
43	D	TARRANT	DAVID (AILEEN)	VK2TBC	ILUKA	-
44	O	THATCHER	TREVOR	VK2TT	WAUCHOPE	02 6585.2278
45	D	THOMPSON	DES (BETTY)	VK9FLHI	LORD HOWE ISLAND	02 6563 2152
46	O	WALKER	BRUCE (GWEN)	VK2HOT	PORT MACQUARIE	02 6583.8360
47	O	WEBSTER	JIM (MARY)	VK2BZD	PORT MACQUARIE	02 6582.4037

Category Key: O = ORDINARY A = ASSOCIATE D = DISTANT H = HONORARY L = LIFE

If you have not yet paid your 2007-2008 subscriptions, please do so now to ensure continuity of membership & delivery of OXTALES